

阅读申明

- 1.本站收集的数据手册和产品资料都来自互联网，版权归原作者所有。如读者和版权方有任何异议请及时告之，我们将妥善解决。
- 2.本站提供的中文数据手册是英文数据手册的中文翻译，其目的是协助用户阅读，该译文无法自动跟随原稿更新，同时也可能存在翻译上的不当。建议读者以英文原稿为参考以便获得更精准的信息。
- 3.本站提供的产品资料，来自厂商的技术支持或者使用者的心得体会等，其内容可能存在描述上的差异，建议读者做出适当判断。
- 4.如需与我们联系，请发邮件到marketing@iczoom.com，主题请标有“数据手册”字样。

Read Statement

1. The datasheets and other product information on the site are all from network reference or other public materials, and the copyright belongs to the original author and original published source. If readers and copyright owners have any objections, please contact us and we will deal with it in a timely manner.
2. The Chinese datasheets provided on the website is a Chinese translation of the English datasheets. Its purpose is for reader's learning exchange only and do not involve commercial purposes. The translation cannot be automatically updated with the original manuscript, and there may also be improper translations. Readers are advised to use the English manuscript as a reference for more accurate information.
3. All product information provided on the website refer to solutions from manufacturers' technical support or users the contents may have differences in description, and readers are advised to take the original article as the standard.
4. If you have any questions, please contact us at marketing@iczoom.com and mark the subject with "Datasheets" .

**Built-in EVENT RECORDER FUNCTION
SERIAL-INTERFACE REAL TIME CLOCK MODULE**

RX-5412 SF

- Built in frequency adjusted 32.768 kHz crystal unit.
- Interface Type : 4-wire serial interface
- Operating voltage range : 2.5 V to 5.5 V
- Wide Timekeeper voltage range : 1.4 V to 5.5 V
- Low backup current : 0.5 μ A / 3 V (Typ.)
- Built-in SRAM : Built-in 2048 bit (8 bit \times 256)
- The various functions include full calendar, alarm, timer, event record, watch dog timer, automatic power switching function.



Product Number (Please contact us)
X1B000082xxxx00

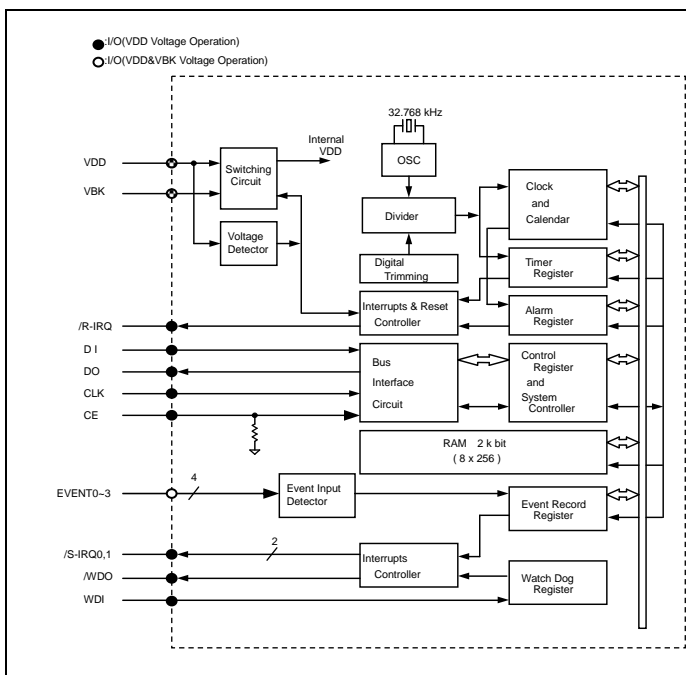


Actual size



NEW

Block diagram



Overview

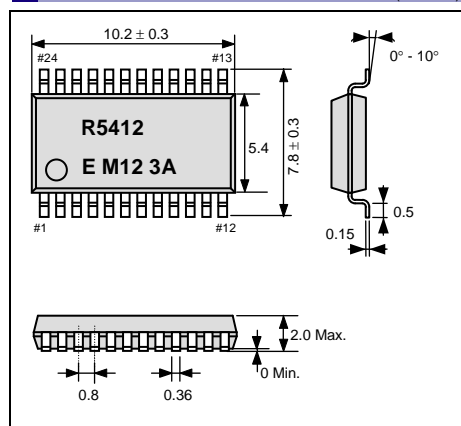
- **Event recorder function**
 - 4 input ports are available for event recorder request.
 - Event recorder data are recorded in inside memory according to user setting.
- **Power switching circuit**
 - When VDD voltage are down, real time clock module power source are switched to VBAT from VDD.
- **Built-in SRAM (256 bytes)**
 - Available built in SRAM for users memory and event recorder memory.
- **Watch dog timer function**
 - Watch dog time, it can set from 1.95 ms to 468.75 ms
- **Voltage drop detection**
 - When real time clock module return from backup mode, this function indicate The reliability of real time clock module data.
- **Periodic timer function**
 - In a timer period, it can set from 1/4096 seconds to 4095 minutes.
- **Alarm function**
 - Alarm by combination of day of week, day, hours, and minutes.

Pin Function

Signal name	Pin No.	I / O	Function	Signal name	Pin No.	I / O	Function
Vss	1	-	GND	(Vss)	24	-	
EVENT0	2	Input	Event input	(Vss)	23	-	
EVENT1	3	Input	Event input	(Vss)	22	-	
VBK	4	-	Backup power supply	(Vss)	21	-	
EVENT2	5	Input	Event input	(Vss)	20	-	
(Vss)	6	-		(Vss)	19	-	
EVENT3	7	Input	Event input	/S-IRQ1	18	Output	Event record interrupt output (open drain)
CE	8	Input	Chip enabled input	/S-IRQ0	17	Output	Event record interrupt output (open drain)
CLK	9	Input	Clock input pin for serial data transmission	WDI	16	Input	Watch dog input (open drain)
DO	10	Output	Data output pin for serial data transmission	/WDO	15	Output	Watch dog output (open drain)
DI	11	Input	Data input pin for serial data transmission	N.C.	14	-	-
/R-IRQ	12	Output	RTC function interrupt output (open drain)	V _{DD}	13	-	Power supply

External dimensions

(Unit:mm)



Specifications (characteristics)

*Refer to application manual for details.

Electrical Characteristics

Item	Symbol	Condition	Min.	Typ.	Max.	Unit	
Power voltage	V _{DD}	-	2.5	3.0	5.5	V	
Clock voltage	V _{CLK}	-	1.4	3.0	5.5	V	
Operating temperature	T _{OPR}	-	-40	+25	+85	°C	
Frequency tolerance	$\Delta f / f$	T _a = +25 °C, V _{DD} = 3.0 V	5 ± 23 *			$\times 10^{-6}$	
Current Consumption	I _{DD1}	Back up operation , CE = GND , /IRQ = OFF	VBK=5 V		0.5	1.0	μ A
	I _{DD2}		VBK=3 V		0.5	1.0	

*Equivalent to 1 minute of monthly deviation.